



3.2 GALLON BOWLS
SLUSH MACHINE

SSM-180 / 280 / 420



SSM-180

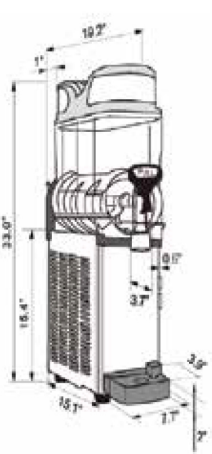


SSM-280

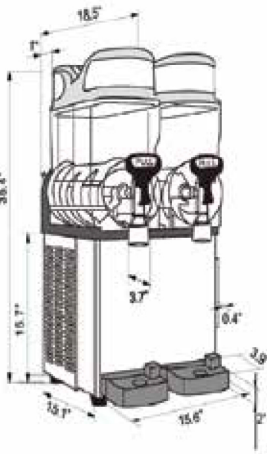


SSM-420

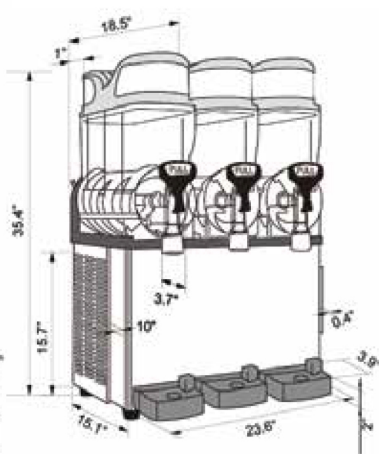
Design and specifications are subject to change without notice



SSM-180



SSM-280



SSM-420

SPECIFICATIONS

Model	SSM-180	SSM-280	SSM-420
Tank Capacity	3.2 gallon x 1 Bowl	3.2 gallon x 2 Bowls	3.2 gallon x 3 Bowls
Legs	Rubber	Rubber	Rubber
Power Consumption	0.43HP (320 W)	1.37HP (1,020 W)	1.81HP (1,350 W)
Gear Motor	67 W x 1	67 W x 2	67 W x 3
Refrigerant	R134A	R404A	R404A
Compressor	0.35HP	0.85HP	1.3HP
Electrical	115V / 60Hz / 1Ph <i>(included power cord with NEMA 5-15 plug)</i>	115V / 60Hz / 1Ph	115V / 60Hz / 1Ph

Features and Benefits

- Fastest Freezing cycle
- 3.2 gal/bowl capacity
- Durable metal gear motor
- Dispense a variety of frozen beverages
- Perfect performance in tropical zone
- Classical design
- Easy maintenance & cleaning
- Automatic shut down refrigeration control
- Easy removal drip tray

SSM-180 Exterior

DIMENSION	MACHINE	SHIPPING
Width	7.7"	11.4"
Depth	19.2"	21.3"
Height	33.0"	39.2"
Weight	66.2 lbs	83.8 lbs

SSM-280 Exterior

DIMENSION	MACHINE	SHIPPING
Width	15.6"	19.5"
Depth	18.5"	21.6"
Height	35.4"	40.7"
Weight	114.7 lbs	137.8 lbs

SSM-420 Exterior

DIMENSION	MACHINE	SHIPPING
Width	23.6"	26.8"
Depth	18.5"	21.6"
Height	35.4"	40.7"
Weight	176.4 lbs	189.6 lbs

* Standard Warranty:
1 Year Parts & Labor



4291 Slate Hill Rd / 564 Livingston St
Marcellus, NY 13108 / Troy, NY 12182

800-678-2956
Taylor-Upstate.com

