

# THREE FLAVOR FREE-STANDING SOFT ICE CREAM MACHINE



## ISI-203SN (P)



W x D x H

inch (mm)

23" (590) x 35" (900) x 60" (1,515)

### Feature



SIMPLICITY



PERFORMANCE



RELIABILITY



EXCELLENT TASTE



**Direct Motor Drive (operation)**

Less noise & Less vibration



**Mix Hopper**

One, 10 liter (2.64 gallon) x 2EA / Maintain the temperature of mix, under 5°C (41°F) in Auto & Standby modes



**Freezing Cylinder**

One, 2.7 liter (0.72 gallon) x 2EA



**Artificial Intelligence Control System**

A.I Control System makes high quality soft serve ice cream.



**(P)\*Model has Air Pump System**

Air Pump increase overrun which makes Soft Serve Ice Cream much smoother and softer



### Dimensions

Dimensions	Net	Gross
Width	23" (590 mm)	24" (615 mm)
Depth	35" (900 mm)	37" (930 mm)
Height	60" (1,515 mm)	66" (1,685 mm)
Weight	586 lbs (266 kg)	654 lbs (296.5 kg)

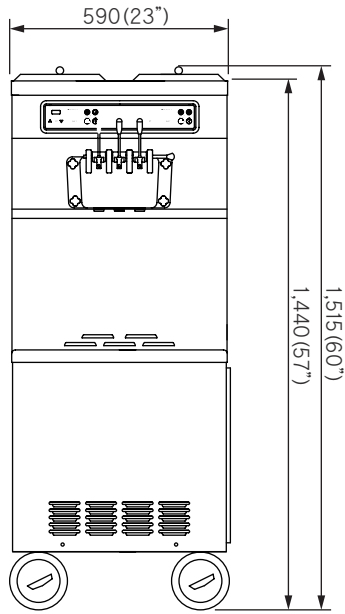
#### Certification



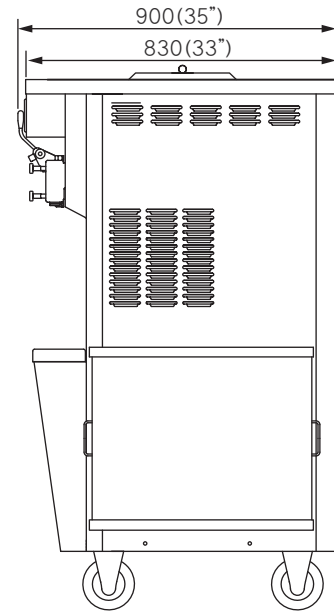
- 1202 W. Struck Ave, Orange, CA 92867 6432 Warren Dr., Norcross, GA 30093
- TEL : 714-215-4864 TEL : 470-567-8603
- WEB : www.icetroamerica.com Email : icetro@icetroamerica.com

# THREE FLAVOR STAND TYPE SOFT ICE CREAM MACHINE

## Dimension – Unit : mm (inch)



FRONT



RIGHT SIDE

## Specification

Model	Mix Hopper Capacity	Cylinder Capacity	Consecutive Dispensing	Dasher Motor	Max. Production	First Dispensing
ISI-203SN (P)	10 liter (2.64 gallon) x 2EA	2.7 liter (0.72 gallon) x 2EA	16~40 cups (100 cc/3.5 oz)	0.75 KW x 2EA	42 kg (92.6 lbs/h)	7~11 min
	Cylinder Compressor	Power Consumption	Mix Hopper Compressor	Cooling System	Electrical Option	
	1 HP x 2EA (R-404A)	4,500 W	0.35 HP (R-134A)	Air-Cooled	220~240V/50Hz/1PH 208~230V/60Hz/1PH 380~420V/50Hz/3PH 208~230V/60Hz/3PH	

※ Production Capacity may vary depending on ambient temperature.

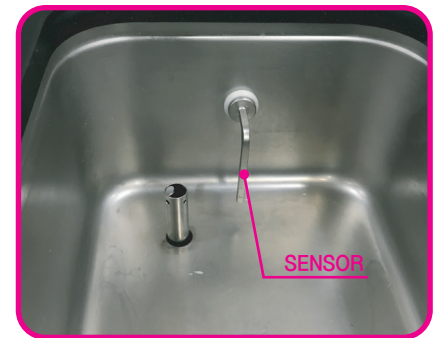
## Detail View



Simple & Easy to access operating / control system on the front touch panel



Pull out to remove the Air filter at the bottom of the right side



Automatically Detect MIX OUT & MIX LOW by the sensor

※ Design and Specification are subject to change without notice.



- 1202 W. Struck Ave, Orange, CA 92867
- TEL : 714-215-4864
- WEB : www.icetroamerica.com
- 6432 Warren Dr., Norcross, GA 30093
- TEL : 470-567-8603
- Email : icetro@icetroamerica.com